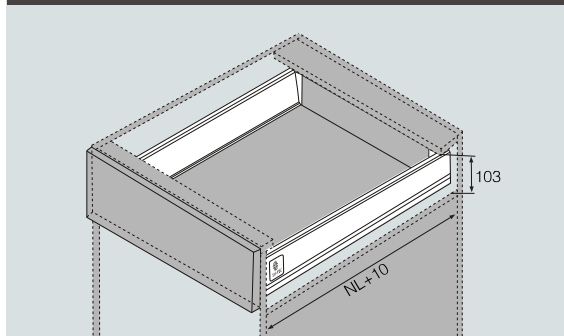




**所需空间 Required space**

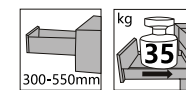
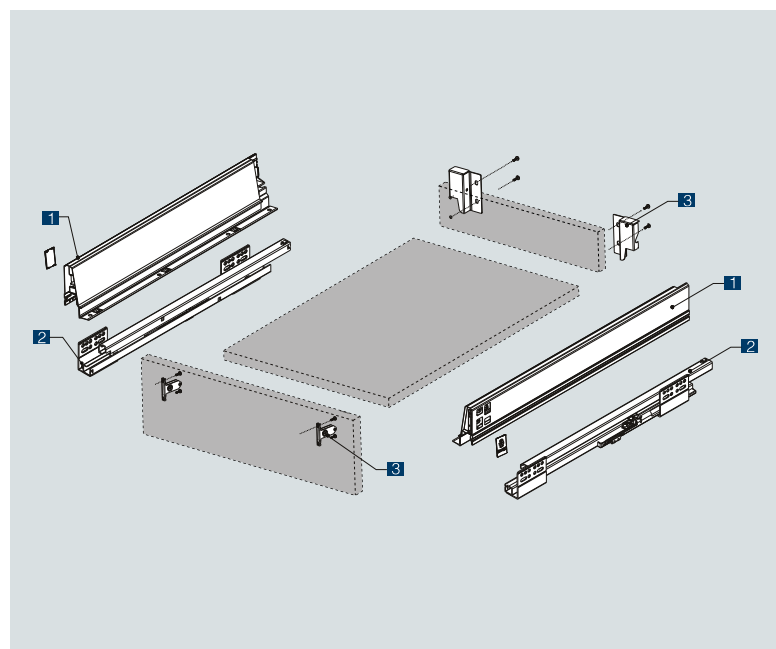


- 隐藏式全拉出缓冲抽屉
- 表面颜色: 灰色、白色及其它颜色
- 载重: 35kg
- 无需工具, 抽屉可快速安装和拆卸
- 静音系统, 滑轨运动顺畅
- 二维调节, 四个方向; 上下(可调 ±2mm)、左右(可调 ±1.5mm)方向
- 自闭功能, 平缓关闭, 抽屉关闭不受重量影响
- 长度: 300-550mm

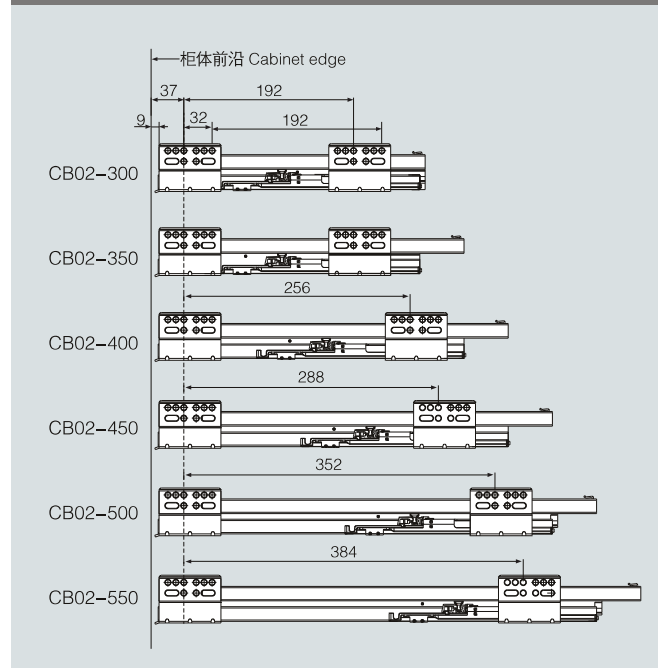
- Soft close concealed full extension drawer
- Finish color: gray, white or various colors available
- Dynamic load capacity: 35kg
- Tool-free quick installation
- Quiet system can guarantee the slides run smoothly without noise
- 4-way adjustment: ±2mm up and down, ±1.5mm left and right
- Soft-closing function make the drawer close safely without effect of weight
- Length: 300-550mm

产品型号 Item No.	标称长度NL (mm) Nominal length	拉出长度 (mm) Travel length	最小柜深LT (mm) Min cabinet depth	包装 (套/箱) Packing (Set/Box)
CB84A-300W	300	284	310	4
CB84A-350W	350	334	360	4
CB84A-400W	400	384	410	4
CB84A-450W	450	434	460	4
CB84A-500W	500	484	510	4
CB84A-550W	550	534	560	4

- 1 CB02 侧板(左/右)+装饰盖 1付  
CB02 Side board (L/R)+Cover 1Pair
- 2 CB02 滑轨(左/右) 1付  
CB02 Slides (L/R) 1Pair
- 3 CB84A 配件包(左/右) 1付  
CB84A Fitting bag (L/R) 1Pair

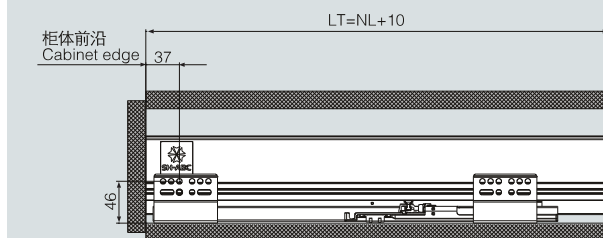


**柜体滑轨安装孔尺寸 Hole pattern**



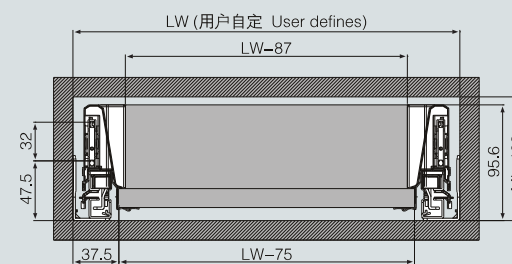
**滑轨安装尺寸 Installation size**

LT: 最小柜深 Min cabinet depth  
 NL: 标称长度 Nominal length



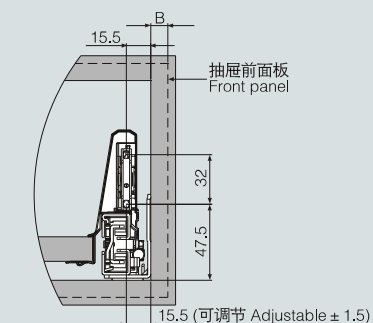
**柜体所需空间 Space required**

LW: 柜体净宽 Inside net width  
 Min: 最小尺寸

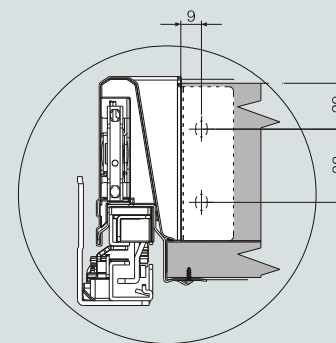


**前面板安装尺寸 Front panel dimensions**

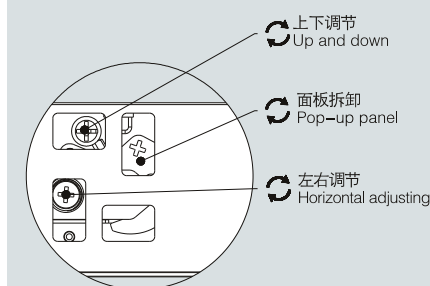
B: 用户自定义 User defines



**背板安装尺寸 Rear panel dimensions**

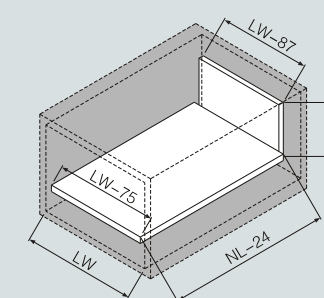


**调节机构 Adjustment mechanism**

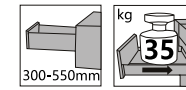


**抽屉木板尺寸 Drawer board dimensions**

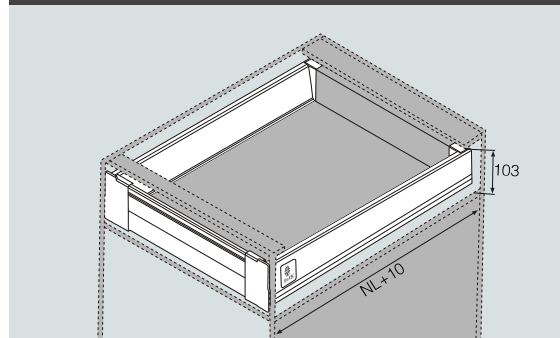
LW: 柜体净宽 Inside net width  
 NL: 标称长度 Nominal length



板厚 Board thickness: 16mm



**所需空间 Required space**

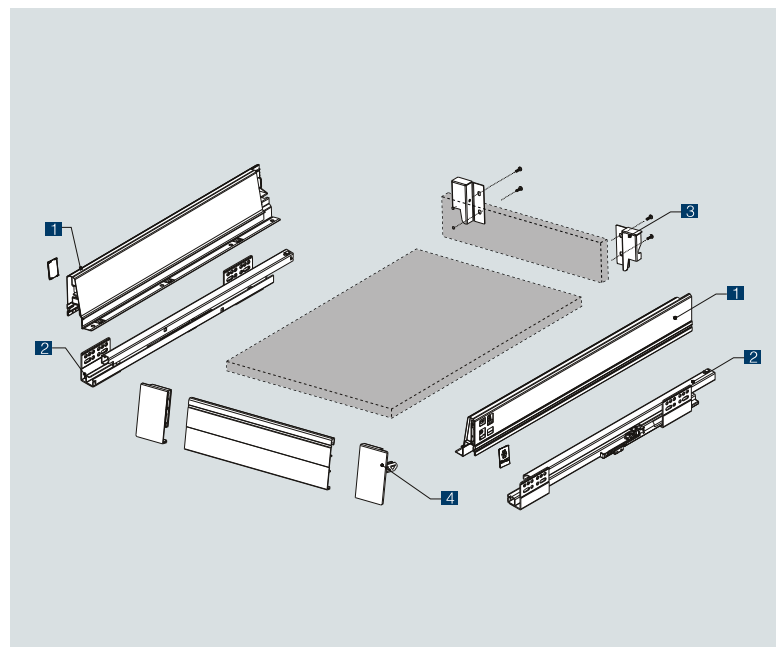


- 隐藏式全拉出缓冲抽屉
- 表面颜色: 灰色、白色及其它颜色
- 载重: 35kg
- 无需工具, 抽屉可快速安装和拆卸
- 静音系统, 滑轨运动顺畅
- 二维调节, 四个方向; 上下(可调 ±2mm)、左右(可调 ±1.5mm)方向
- 自闭功能, 平缓关闭, 抽屉关闭不受重量影响
- 长度: 300-550mm

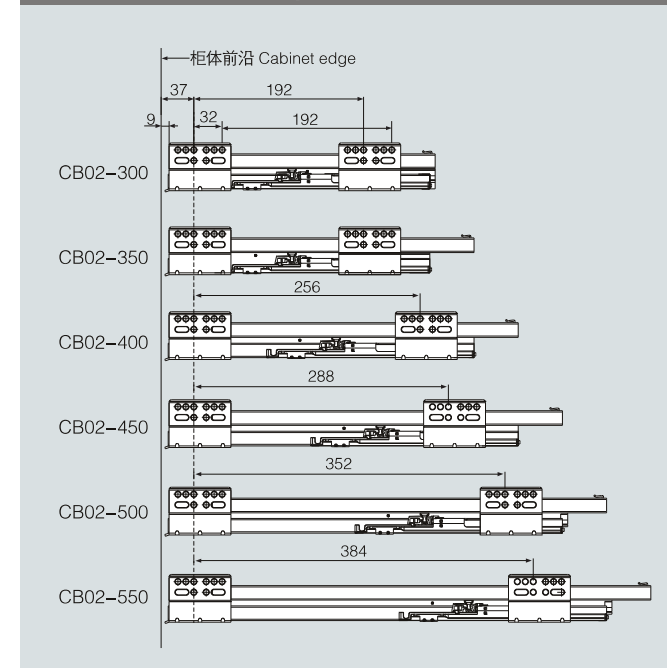
- Soft close concealed full extension drawer
- Finish color: gray, white or various colors available
- Dynamic load capacity: 35kg
- Tool-free quick installation
- Quiet system can guarantee the slides run smoothly without noise
- 4-way adjustment: ±2mm up and down, ±1.5mm left and right
- Soft-closing function make the drawer close safely without effect of weight
- Length: 300-550mm

产品型号 Item No.	标称长度NL (mm) Nominal length	拉出长度 (mm) Travel length	最小柜深LT (mm) Min cabinet depth	包装 (套/箱) Packing (Set/Box)
CB84A-300N	300	284	310	4
CB84A-350N	350	334	360	4
CB84A-400N	400	384	410	4
CB84A-450N	450	434	460	4
CB84A-500N	500	484	510	4
CB84A-550N	550	534	560	4

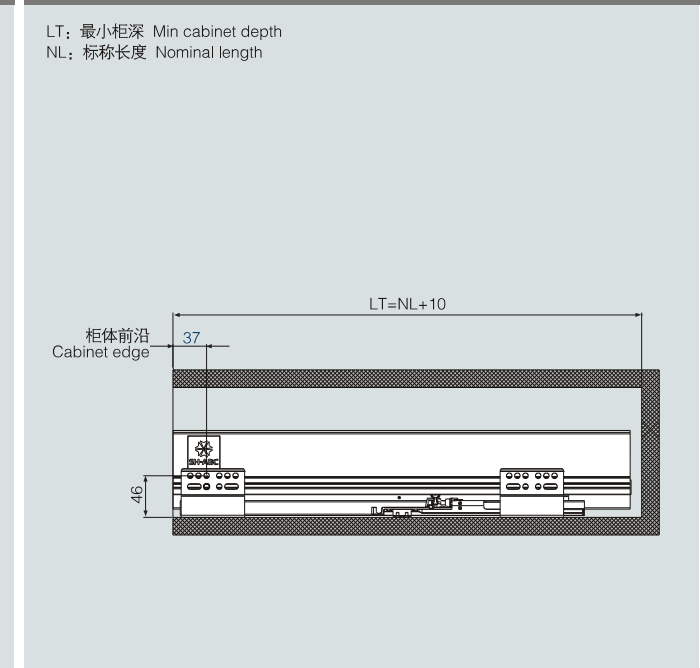
- 1 CB02 侧板(左/右)+装饰盖 1付  
CB02 Side board (L/R)+Cover 1Pair
- 2 CB02 滑轨(左/右) 1付  
CB02 Slides (L/R) 1Pair
- 3 CB84A-N 木背板固定件(左/右) 1付  
CB84A-N Back fixing-brackets (L/R) 1Pair
- 4 CB84A 铝面板连接组件 1套  
CB84A Aluminum front panel connectors 1Set



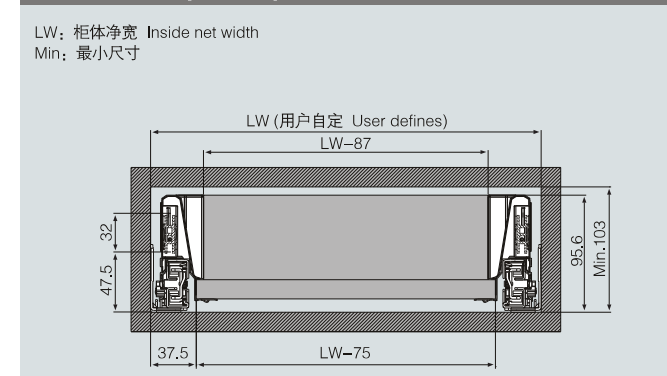
**柜体滑轨安装孔尺寸 Hole pattern**



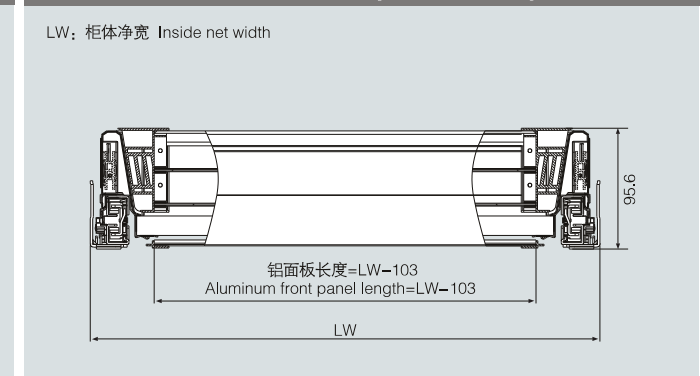
**滑轨安装尺寸 Installation size**



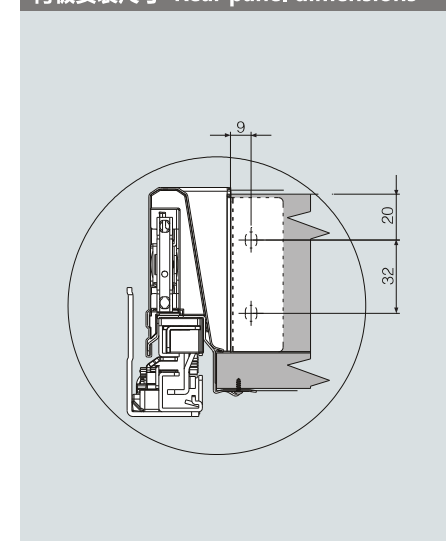
**柜体所需空间 Space required**



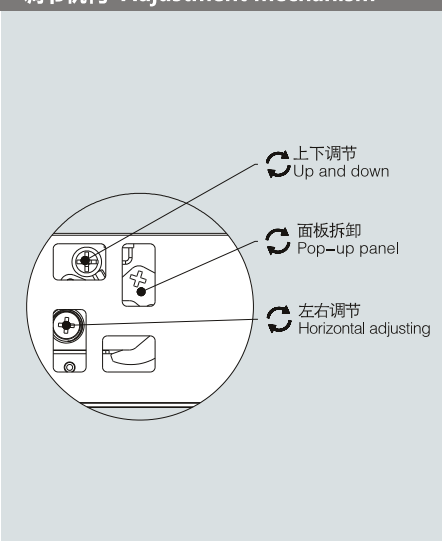
**铝面板装配示意 Aluminum front panel assembly**



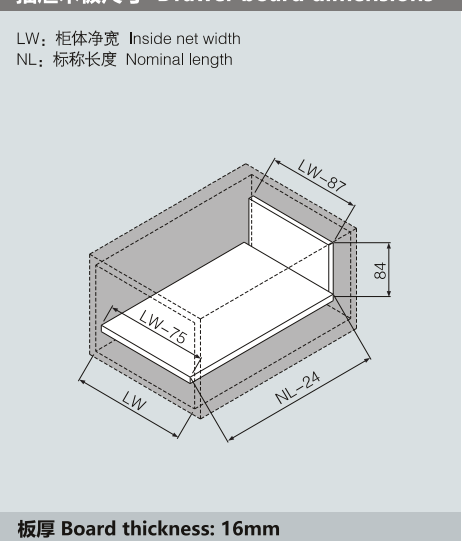
**背板安装尺寸 Rear panel dimensions**



**调节机构 Adjustment mechanism**



**抽屉木板尺寸 Drawer board dimensions**





**CB135A-W-S1 骑马抽屉 Double Wall Drawer**

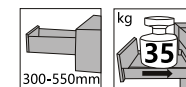
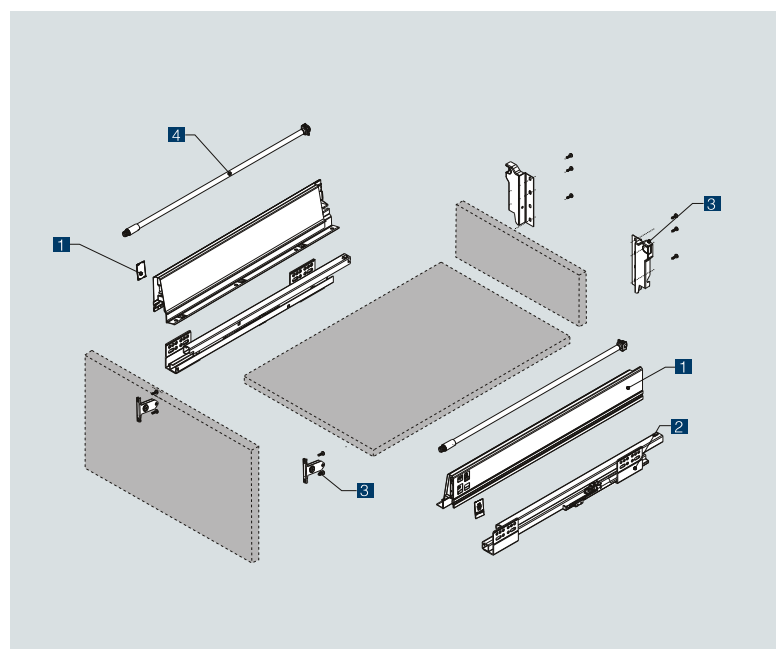


- 隐藏式全拉出缓冲抽屉
- 表面颜色: 灰色、白色及其它颜色
- 载重: 35kg
- 无需工具, 抽屉可快速安装和拆卸
- 静音系统, 滑轨运动顺畅
- 三维调节; 上下(可调 ± 2mm)、左右(可调 ± 1.5mm)方向、面板倾斜调节
- 自闭功能, 平缓关闭, 抽屉关闭不受重量影响
- 长度: 300-550mm

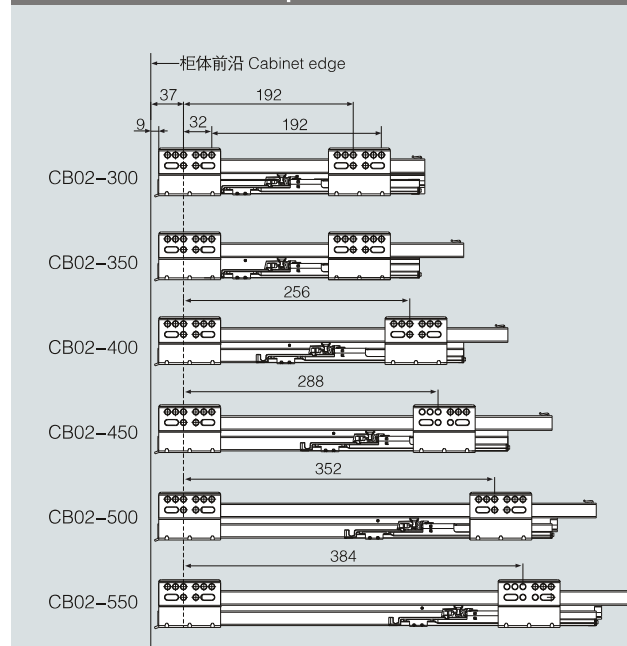
- Soft close concealed full extension drawer
- Finish color: gray, white or various colors available
- Dynamic load capacity: 35kg
- Tool-free quick installation
- Quiet system can guarantee the slides run smoothly without noise
- 6-way adjustment: ± 2mm up and down, ± 1.5mm left and right, front panel tilt adjustment
- Soft-closing function make the drawer close safely without effect of weight
- Length: 300-550mm

产品型号 Item No.	标称长度NL (mm) Nominal length	拉出长度 (mm) Travel length	最小柜深LT (mm) Min cabinet depth	包装 (套/箱) Packing (Set/Box)
CB135A-300W	300	284	310	4
CB135A-350W	350	334	360	4
CB135A-400W	400	384	410	4
CB135A-450W	450	434	460	4
CB135A-500W	500	484	510	4
CB135A-550W	550	534	560	4

- 1 CB02 侧板(左/右)+装饰盖 1付  
CB02 Side board (L/R)+Cover 1Pair
- 2 CB02 滑轨(左/右) 1付  
CB02 Slides (L/R) 1Pair
- 3 CB135A-W 配件包(左/右) 1付  
CB135A-W Fitting bag (L/R) 1Pair
- 4 圆 Round  
方 Square  
CB 铝连杆 1付 (可选圆杆或方杆)  
CB Aluminum tube 1Pair (Optional round tube or square tube)

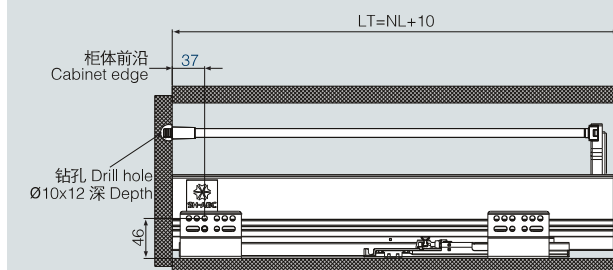


**柜体滑轨安装孔尺寸 Hole pattern**



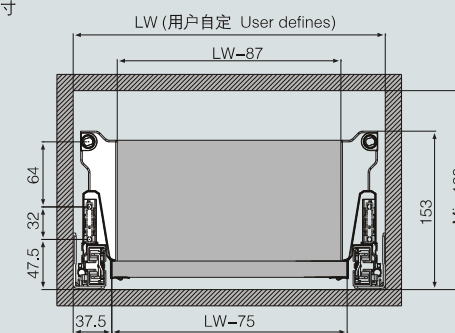
**滑轨安装尺寸 Installation size**

LT: 最小柜深 Min cabinet depth  
NL: 标称长度 Nominal length



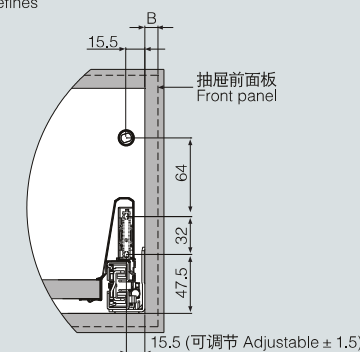
**柜体所需空间 Space required**

LW: 柜体净宽 Inside net width  
Min: 最小尺寸

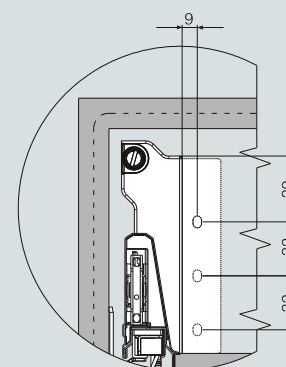


**前面板安装尺寸 Front panel dimensions**

B: 用户自定 User defines



**背板安装尺寸 Rear panel dimensions**

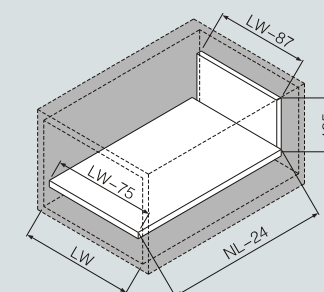


**调节机构 Adjustment mechanism**

- 上下调节  
Up and down
- 面板拆卸  
Pop-up panel
- 左右调节  
Horizontal adjusting

**抽屉木板尺寸 Drawer board dimensions**

LW: 柜体净宽 Inside net width  
NL: 标称长度 Nominal length



板厚 Board thickness: 16mm





**CB135A-N-S1 骑马抽屉 Double Wall Drawer**



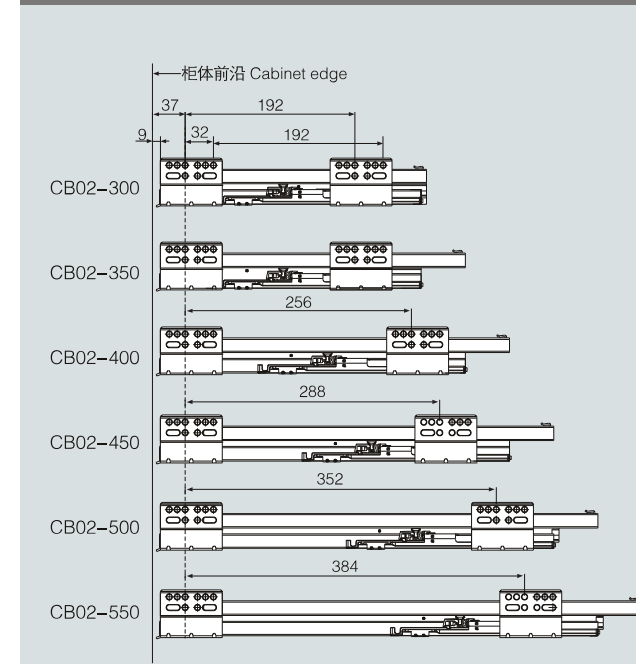
- 隐藏式全拉出缓冲抽屉
- 表面颜色: 灰色、白色及其它颜色
- 载重: 35kg
- 无需工具, 抽屉可快速安装和拆卸
- 静音系统, 滑轨运动顺畅
- 三维调节; 上下(可调 ±2mm)、左右(可调 ±1.5mm)方向、面板倾斜调节
- 自闭功能, 平缓关闭, 抽屉关闭不受重量影响
- 长度: 300-550mm

- Soft close concealed full extension drawer
- Finish color: gray, white or various colors available
- Dynamic load capacity: 35kg
- Tool-free quick installation
- Quiet system can guarantee the slides run smoothly without noise
- 6-way adjustment: ±2mm up and down, ±1.5mm left and right, front panel tilt adjustment
- Soft-closing function make the drawer close safely without effect of weight
- Length: 300-550mm

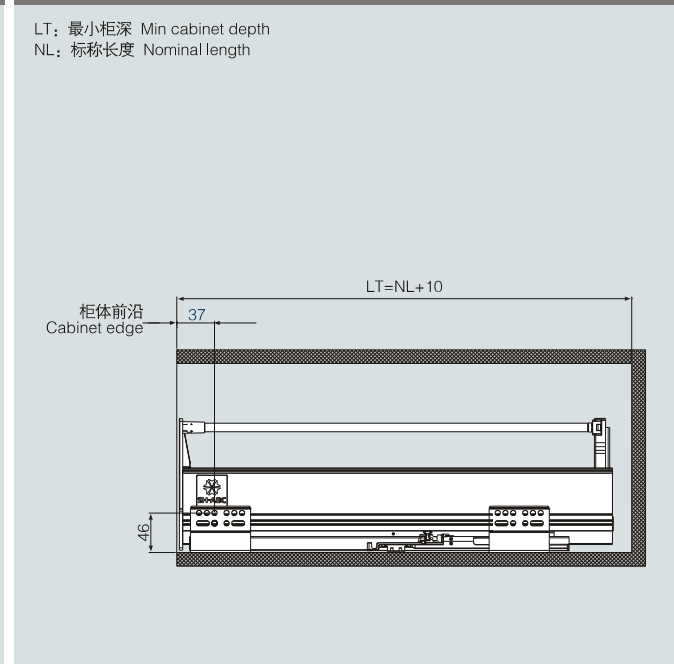
产品型号 Item No.	标称长度NL (mm) Nominal length	拉出长度 (mm) Travel length	最小柜深LT (mm) Min cabinet depth	包装 (套/箱) Packing (Set/Box)
CB135A-300N	300	284	310	4
CB135A-350N	350	334	360	4
CB135A-400N	400	384	410	4
CB135A-450N	450	434	460	4
CB135A-500N	500	484	510	4
CB135A-550N	550	534	560	4

- 1 CB02 侧板(左/右)+装饰盖 1付  
CB02 Side board (L/R)+Cover 1Pair
- 2 CB02 滑轨(左/右) 1付  
CB02 Slides (L/R) 1Pair
- 3 CB135A-N 配件包(左/右) 1付  
CB135A-N Fitting bag (L/R) 1Pair
- 4 CB135A-N 圆杆铝面板连接组件 1套  
CB135A-N Round tube aluminum front panel connectors 1Set
- 可选 Optional CB135A-N 方杆铝面板连接组件 1套  
CB135A-N Square tube aluminum front panel connectors 1Set
- 5 圆 Round  
方 Square  
CB 铝连杆 1付 ( 可选圆杆或方杆 )  
CB Aluminum tube 1Pair (Optional round tube or square tube)

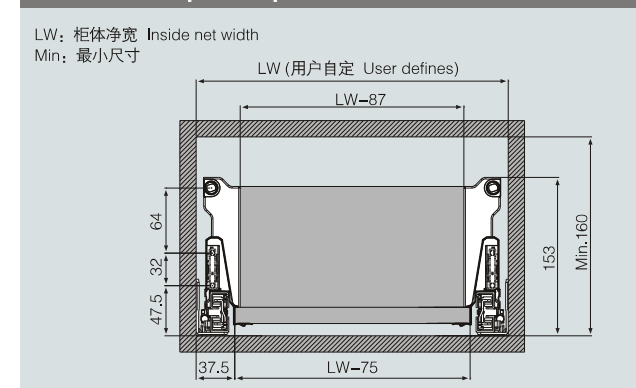
**柜体滑轨安装孔尺寸 Hole pattern**



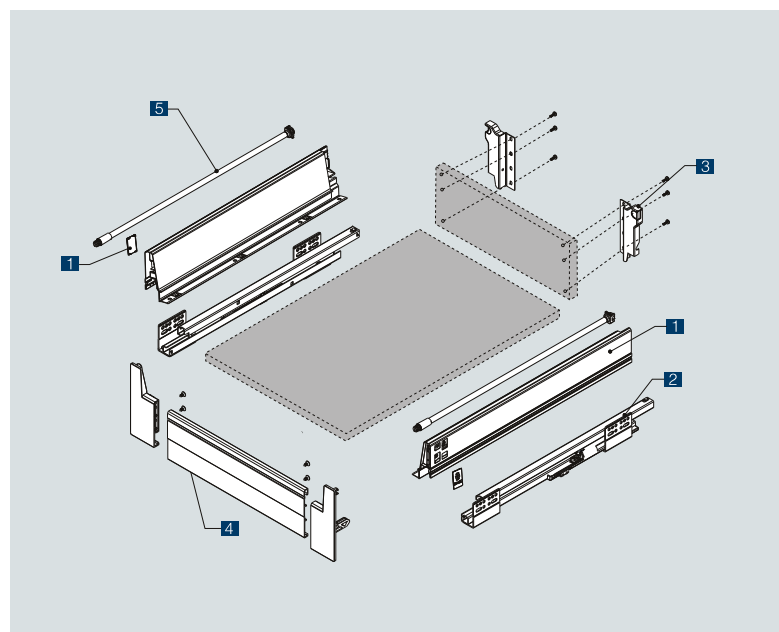
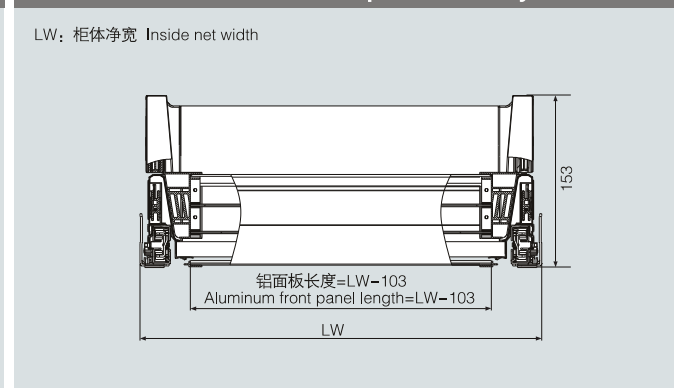
**滑轨安装尺寸 Installation size**



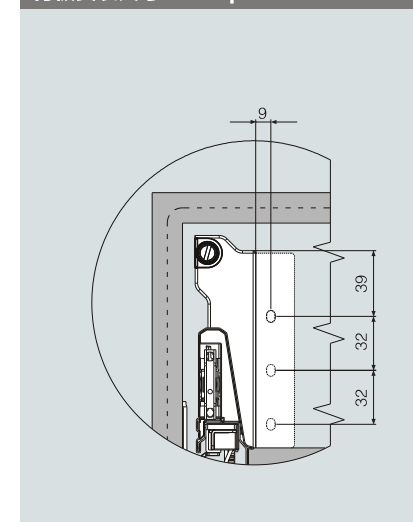
**柜体所需空间 Space required**



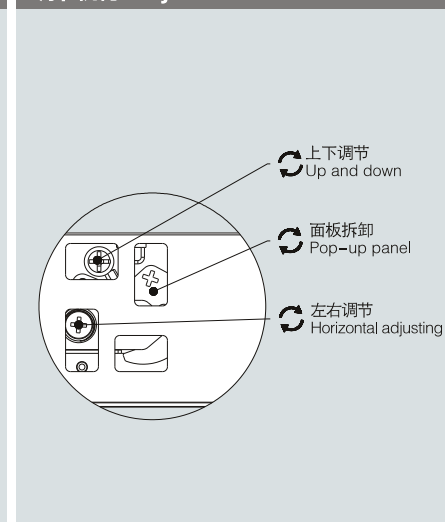
**铝面板装配示意 Aluminum front panel assembly**



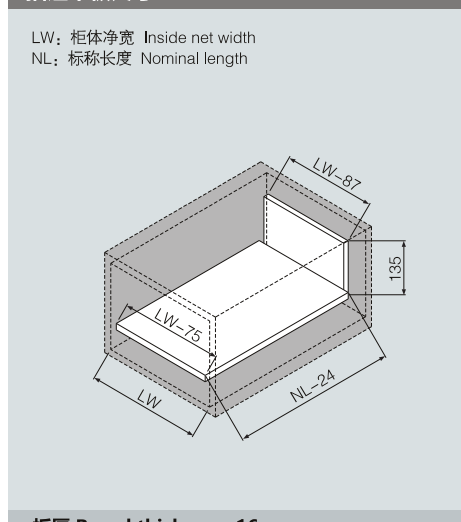
**背板安装尺寸 Rear panel dimensions**



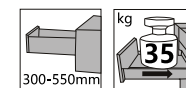
**调节机构 Adjustment mechanism**



**抽屉木板尺寸 Drawer board dimensions**



板厚 Board thickness: 16mm



**CB199A-W-S2 骑马抽屉 Double Wall Drawer**

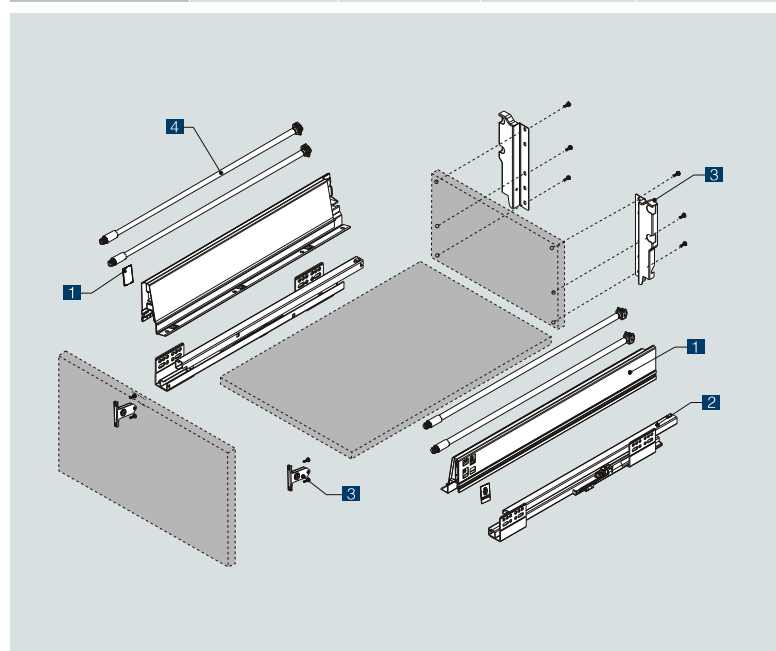


- 隐藏式全拉出缓冲抽屉
- 表面颜色: 灰色、白色及其它颜色
- 载重: 35kg
- 无需工具, 抽屉可快速安装和拆卸
- 静音系统, 滑轨运动顺畅
- 三维调节: 上下(可调 ± 2mm)、左右(可调 ± 1.5mm)方向、面板倾斜调节
- 自闭功能, 平缓关闭, 抽屉关闭不受重量影响
- 长度: 300-550mm

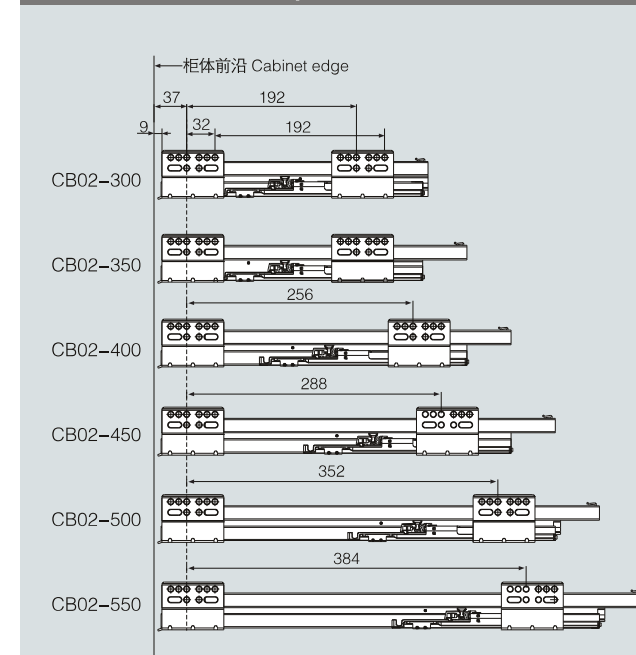
- Soft close concealed full extension drawer
- Finish color: gray, white or various colors available
- Dynamic load capacity: 35kg
- Tool-free quick installation
- Quiet system can guarantee the slides run smoothly without noise
- 6-way adjustment: ± 2mm up and down, ± 1.5mm left and right, front panel tilt adjustment
- Soft-closing function make the drawer close safely without effect of weight
- Length: 300-550mm

产品型号 Item No.	标称长度NL (mm) Nominal length	拉出长度 (mm) Travel length	最小柜深LT (mm) Min cabinet depth	包装 (套/箱) Packing (Set/Box)
CB199A-300W	300	284	310	4
CB199A-350W	350	334	360	4
CB199A-400W	400	384	410	4
CB199A-450W	450	434	460	4
CB199A-500W	500	484	510	4
CB199A-550W	550	534	560	4

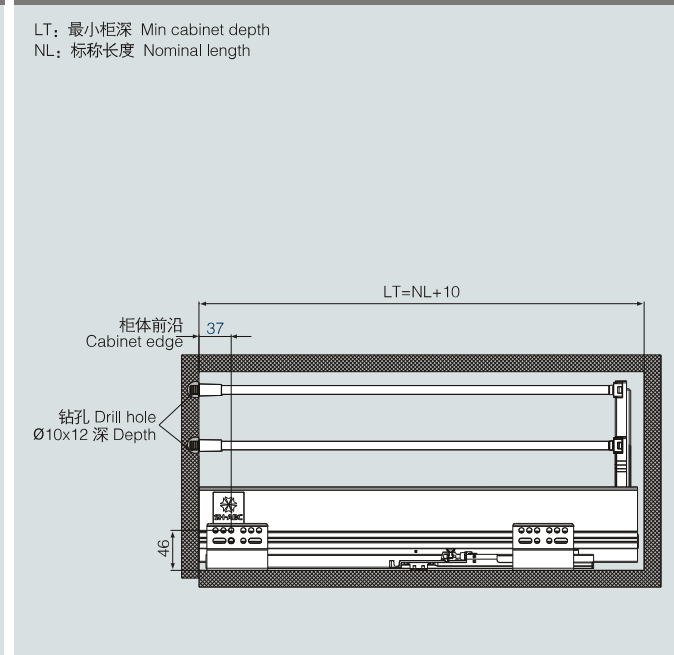
- 1 CB02 侧板(左/右)+装饰盖 1付  
CB02 Side board (L/R)+Cover 1Pair
- 2 CB02 滑轨(左/右) 1付  
CB02 Slides (L/R) 1Pair
- 3 CB199A-W 配件包(左/右) 1付  
CB199A-W Fitting bag (L/R) 1Pair
- 4 圆 Round  
方 Square  
CB 铝连杆 2付 (可选圆杆或方杆)  
CB Aluminum tube 2Pair (Optional round tube or square tube)



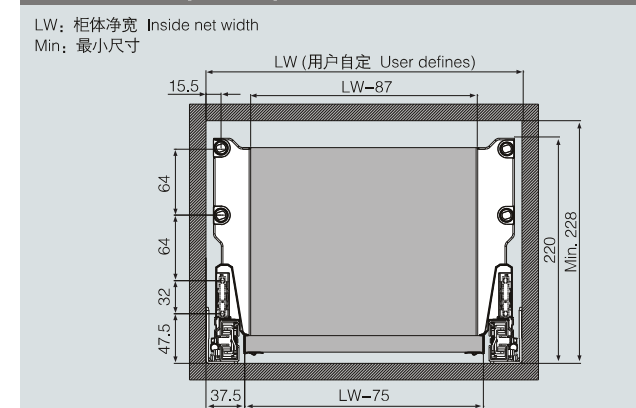
**柜体滑轨安装孔尺寸 Hole pattern**



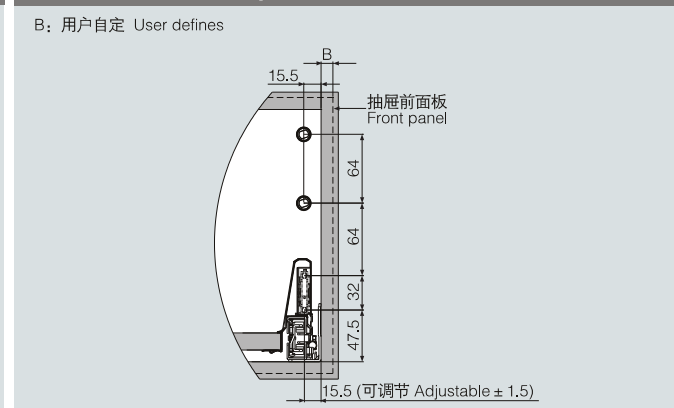
**滑轨安装尺寸 Installation size**



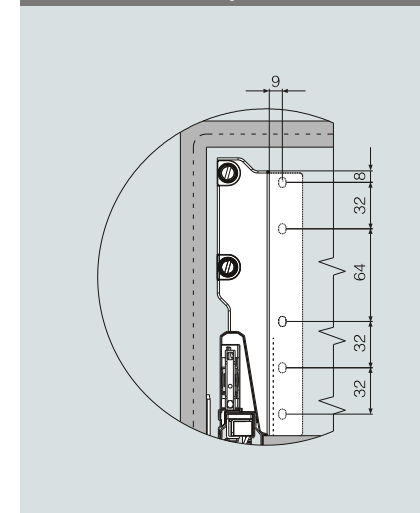
**柜体所需空间 Space required**



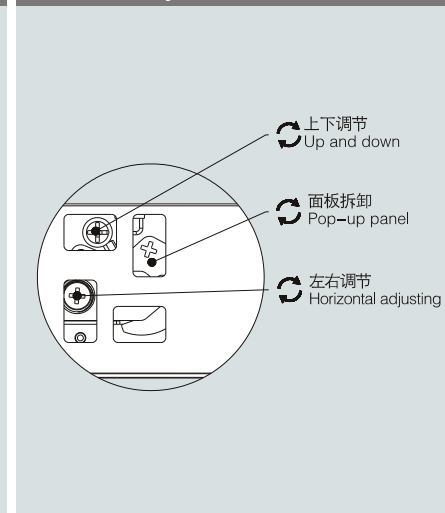
**前面板安装尺寸 Front panel dimensions**



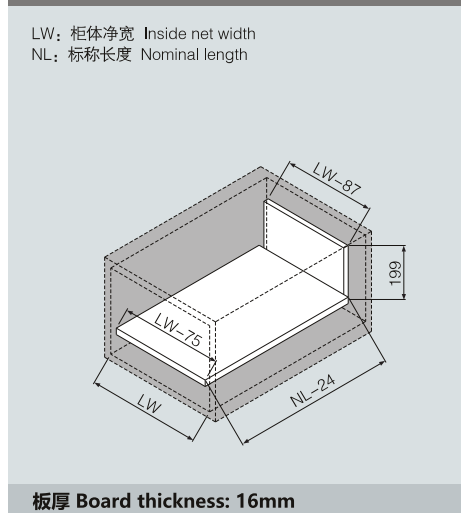
**背板安装尺寸 Rear panel dimensions**



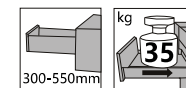
**调节机构 Adjustment mechanism**



**抽屉木板尺寸 Drawer board dimensions**







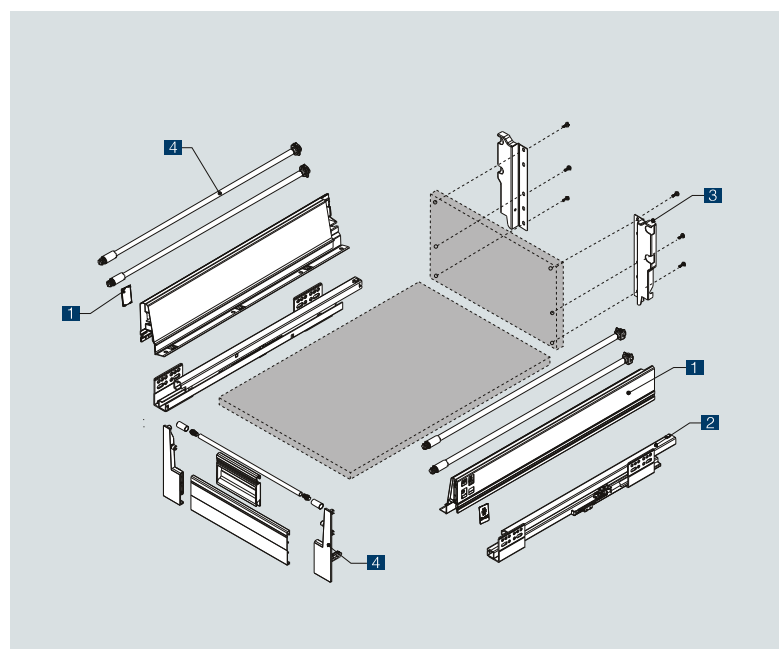
**CB199A-N-S2 骑马抽屉 Double Wall Drawer**



- 隐藏式全拉出缓冲抽屉
- 表面颜色: 灰色、白色及其它颜色
- 载重: 35kg
- 无需工具, 抽屉可快速安装和拆卸
- 静音系统, 滑轨运动顺畅
- 三维调节; 上下(可调 ± 2mm)、左右(可调 ± 1.5mm)方向、面板倾斜调节
- 自闭功能, 平缓关闭, 抽屉关闭不受重量影响
- 长度: 300-550mm

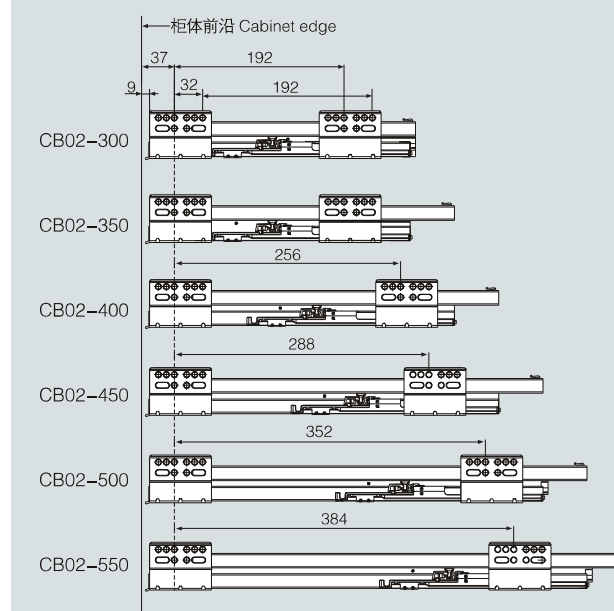
- Soft close concealed full extension drawer
- Finish color: gray, white or various colors available
- Dynamic load capacity: 35kg
- Tool-free quick installation
- Quiet system can guarantee the slides run smoothly without noise
- 6-way adjustment: ± 2mm up and down, ± 1.5mm left and right, front panel tilt adjustment
- Soft-closing function make the drawer close safely without effect of weight
- Length: 300-550mm

产品型号 Item No.	标称长度NL (mm) Nominal length	拉出长度 (mm) Travel length	最小柜深LT (mm) Min cabinet depth	包装 (套/箱) Packing (Set/Box)
CB199A-300N	300	284	310	4
CB199A-350N	350	334	360	4
CB199A-400N	400	384	410	4
CB199A-450N	450	434	460	4
CB199A-500N	500	484	510	4
CB199A-550N	550	534	560	4



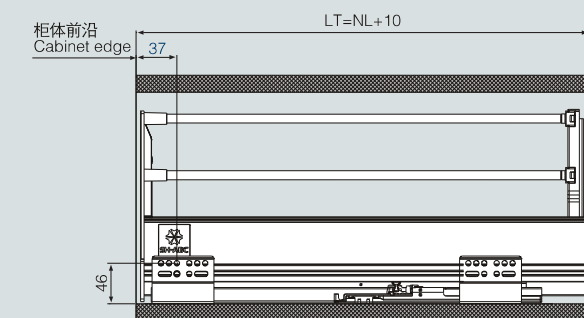
- 1 CB02 侧板(左/右)+装饰盖 1付  
CB02 Side board (L/R)+Cover 1Pair
- 2 CB02 滑轨(左/右) 1付  
CB02 Slides (L/R) 1Pair
- 3 CB199A-N 配件包(左/右) 1付  
CB199A-N Fitting bag (L/R) 1Pair
- 4 CB199N 圆杆铝面板连接组件 1套  
CB199N Round tube aluminum front panel connectors 1Set
- 可选 Optional CB199N 方杆铝面板连接组件 1套  
CB199N Square tube aluminum front panel connectors 1Set
- 5 圆 Round 方 Square  
CB 铝连杆 2付 ( 可选圆杆或方杆 )  
CB Aluminum tube 2Pair (Optional round tube or square tube)

**柜体滑轨安装孔尺寸 Hole pattern**



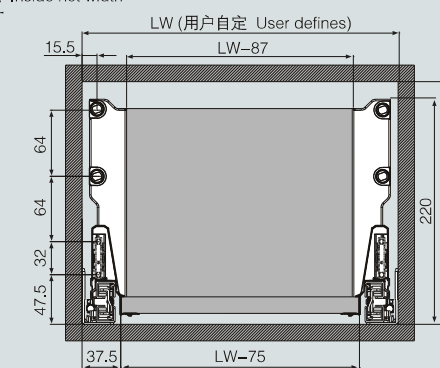
**滑轨安装尺寸 Installation size**

LT: 最小柜深 Min cabinet depth  
 NL: 标称长度 Nominal length



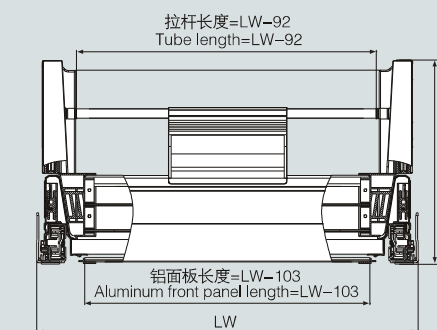
**柜体所需空间 Space required**

LW: 柜体净宽 Inside net width  
 Min: 最小尺寸

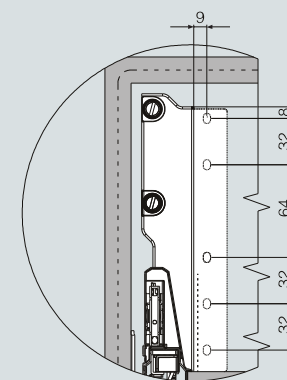


**铝面板拉手装配示意图 Aluminum front & Handle panel assembly**

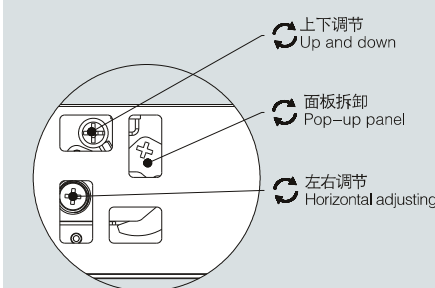
LW: 柜体净宽 Inside net width



**背板安装尺寸 Rear panel dimensions**

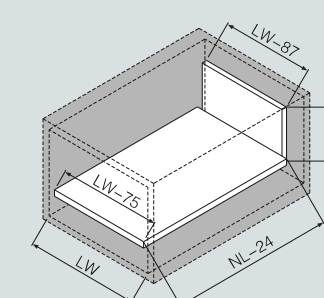


**调节机构 Adjustment mechanism**



**抽屉木板尺寸 Drawer board dimensions**

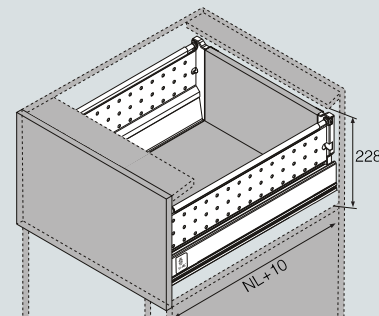
LW: 柜体净宽 Inside net width  
 NL: 标称长度 Nominal length



板厚 Board thickness: 16mm



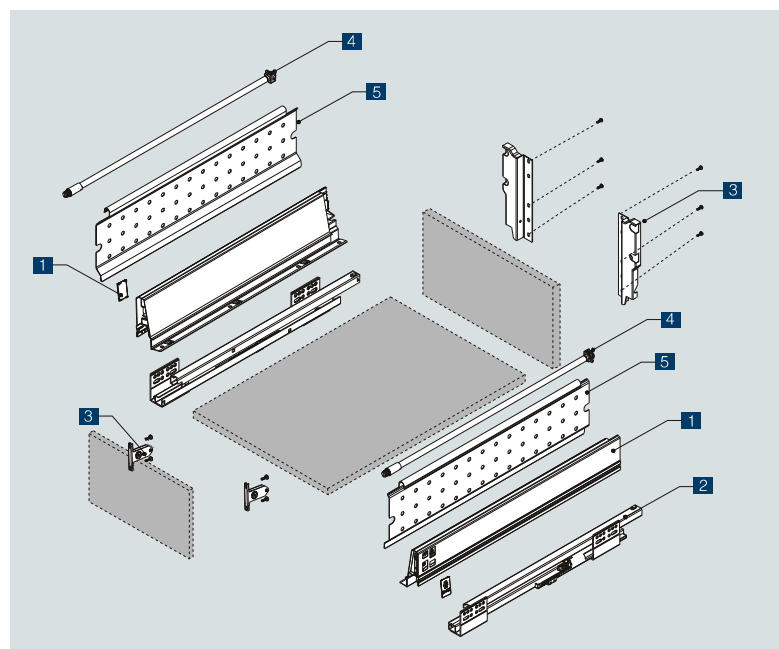
**所需空间 Required space**



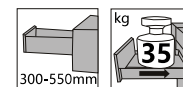
- 隐藏式全拉出缓冲抽屉
- 表面颜色: 灰色、白色及其它颜色
- 载重: 35kg
- 无需工具, 抽屉可快速安装和拆卸
- 静音系统, 滑轨运动顺畅
- 二维调节; 上下(可调 ± 2mm)、左右(可调 ± 1.5mm)方向
- 自闭功能, 平缓关闭, 抽屉关闭不受重量影响
- 长度: 300-550mm

- Soft close concealed full extension drawer
- Finish color: gray, white or various colors available
- Dynamic load capacity: 35kg
- Tool-free quick installation
- Quiet system can guarantee the slides run smoothly without noise
- 4-way adjustment: ± 2mm up and down, ± 1.5mm left and right
- Soft-closing function make the drawer close safely without effect of weight
- Length: 300-550mm

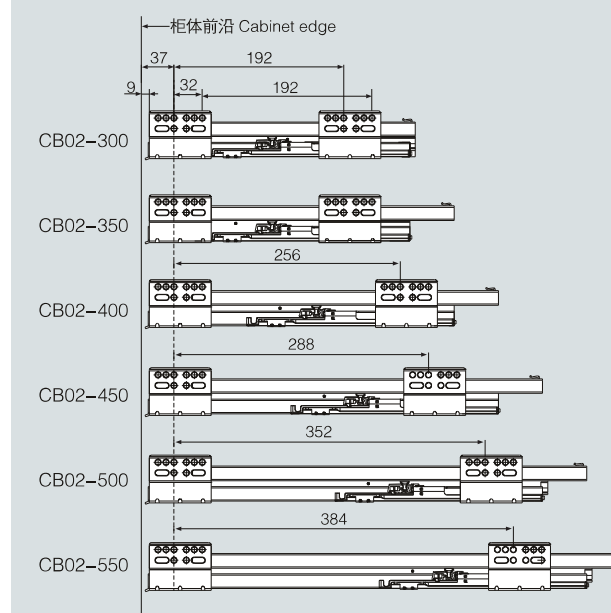
产品型号 Item No.	标称长度NL (mm) Nominal length	拉出长度 (mm) Travel length	最小柜深LT (mm) Min cabinet depth	包装 (套/箱) Packing (Set/Box)
CB199A-300W-AL	300	284	310	4
CB199A-350W-AL	350	334	360	4
CB199A-400W-AL	400	384	410	4
CB199A-450W-AL	450	434	460	4
CB199A-500W-AL	500	484	510	4
CB199A-550W-AL	550	534	560	4



- CB02 侧板(左/右)+装饰盖 1付  
CB02 Side board (L/R)+Cover 1Pair
- CB02 滑轨(左/右) 1付  
CB02 Slides (L/R) 1Pair
- CB199A-W 配件包(左/右) 1付  
CB199A-W Fitting bag (L/R) 1Pair
- CB 铝连杆 1付  
CB Aluminum tube 1Pair
- CB 铝侧板 1付  
CB Aluminum panel 1Pair

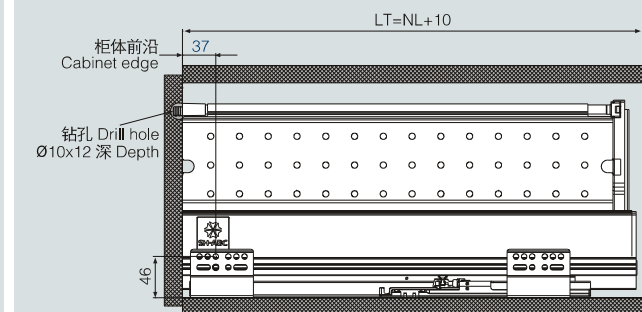


**柜体滑轨安装孔尺寸 Hole pattern**



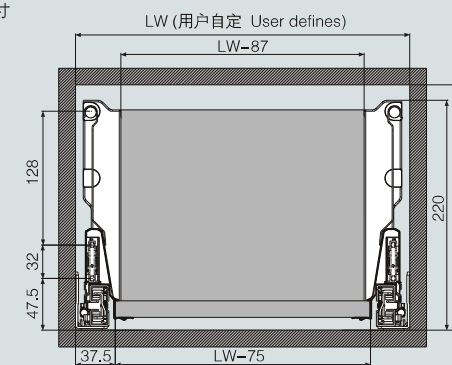
**滑轨安装尺寸 Installation size**

LT: 最小柜深 Min cabinet depth  
NL: 标称长度 Nominal length



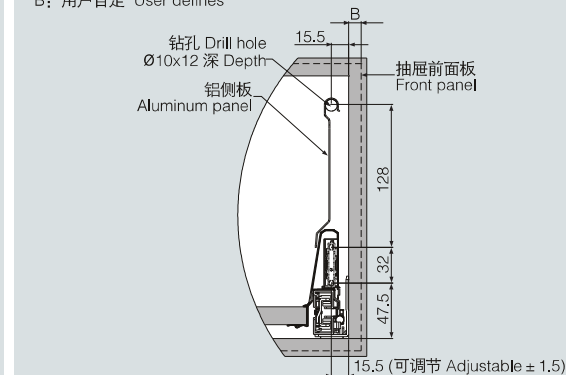
**柜体所需空间 Space required**

LW: 柜体净宽 Inside net width  
Min: 最小尺寸

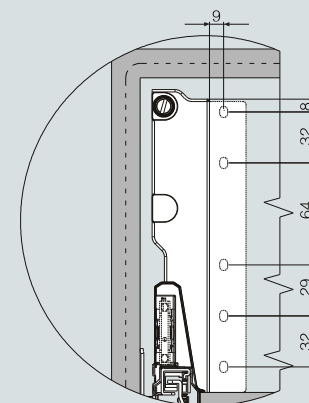


**前面板安装尺寸 Front panel dimensions**

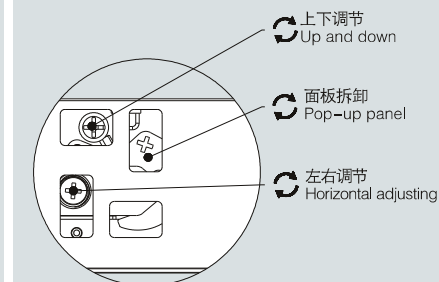
B: 用户自定义 User defines



**背板安装尺寸 Rear panel dimensions**

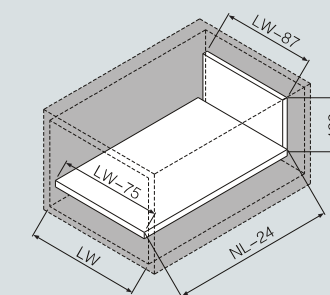


**调节机构 Adjustment mechanism**



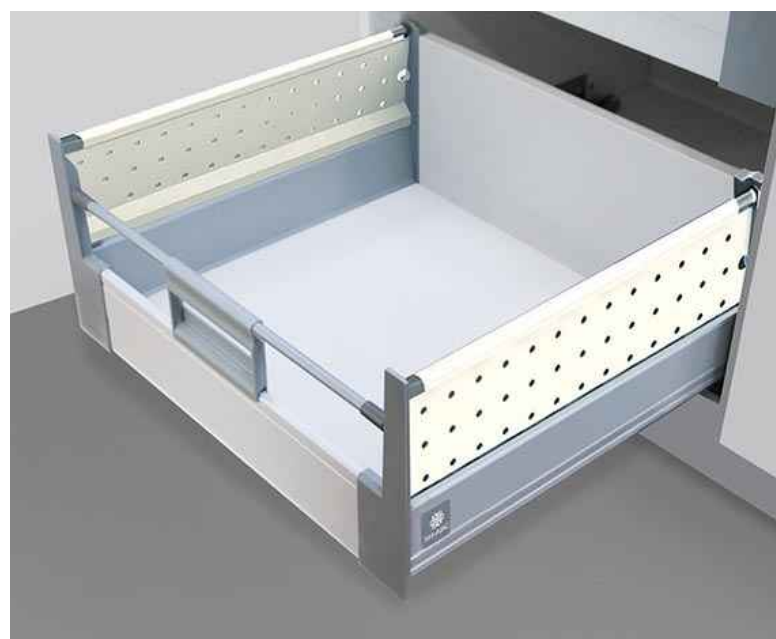
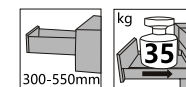
**抽屉木板尺寸 Drawer board dimensions**

LW: 柜体净宽 Inside net width  
NL: 标称长度 Nominal length



板厚 Board thickness: 16mm





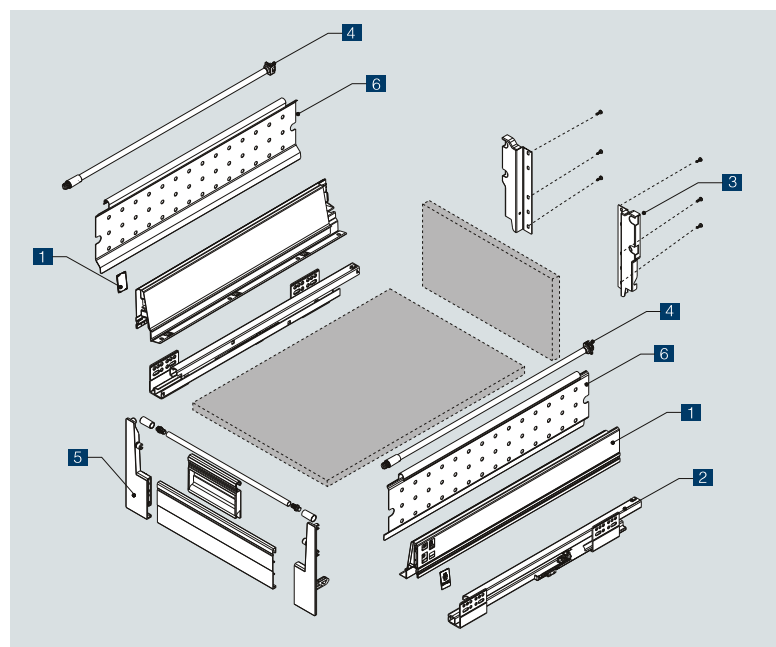
**CB199A-N-AL-S1** 骑马抽屉 Double Wall Drawer



- 隐藏式全拉出缓冲抽屉
- 表面颜色: 灰色、白色及其它颜色
- 载重: 35kg
- 无需工具, 抽屉可快速安装和拆卸
- 静音系统, 滑轨运动顺畅
- 二维调节; 上下(可调 ±2mm)、左右(可调 ±1.5mm)方向
- 自闭功能, 平缓关闭, 抽屉关闭不受重量影响
- 长度: 300-550mm

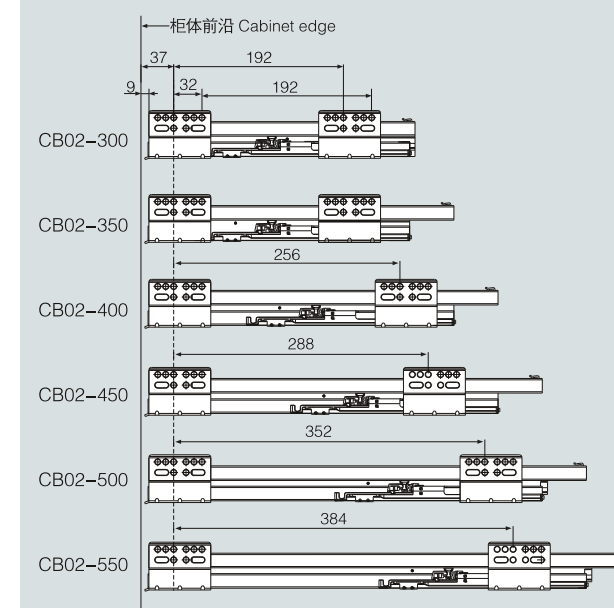
- Soft close concealed full extension drawer
- Finish color: gray, white or various colors available
- Dynamic load capacity: 35kg
- Tool-free quick installation
- Quiet system can guarantee the slides run smoothly without noise
- 4-way adjustment: ±2mm up and down, ±1.5mm left and right
- Soft-closing function make the drawer close safely without effect of weight
- Length: 300-550mm

产品型号 Item No.	标称长度NL (mm) Nominal length	拉出长度 (mm) Travel length	最小柜深LT (mm) Min cabinet depth	包装 (套/箱) Packing (Set/Box)
CB199A-300N-AL	300	284	310	4
CB199A-350N-AL	350	334	360	4
CB199A-400N-AL	400	384	410	4
CB199A-450N-AL	450	434	460	4
CB199A-500N-AL	500	484	510	4
CB199A-550N-AL	550	534	560	4



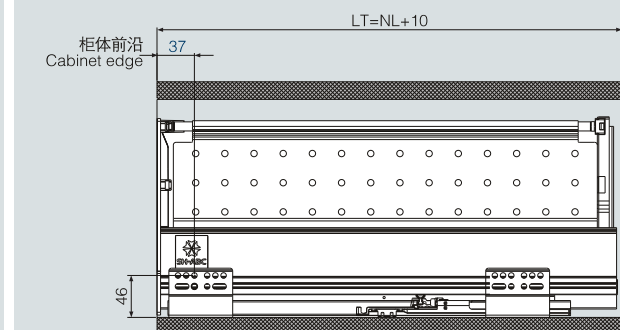
- 1 CB02 侧板(左/右)+装饰盖 1付  
CB02 Side board (L/R)+Cover 1Pair
- 2 CB02 滑轨(左/右) 1付  
CB02 Slides (L/R) 1Pair
- 3 CB199A-N 配件包(左/右) 1付  
CB199A-N Fitting bag (L/R) 1Pair
- 4 CB 铝连杆 1付  
CB Aluminum tube 1Pair
- 5 CB199N 圆杆铝面板连接组件 1套  
CB199N Round tube aluminum front panel connectors 1Set
- 可选 Optional  
CB199N 方杆铝面板连接组件 1套  
CB199N Square tube aluminum front panel connectors 1Set
- 6 CB 铝侧板 1付  
CB Aluminum panel 1Pair

**柜体滑轨安装孔尺寸 Hole pattern**



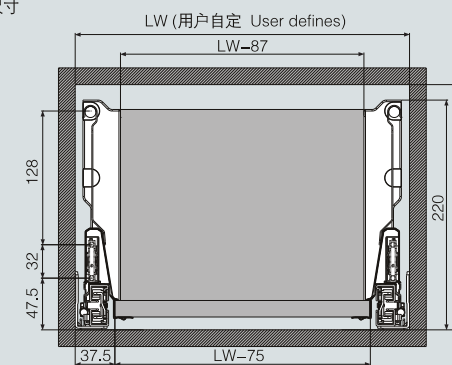
**滑轨安装尺寸 Installation size**

LT: 最小柜深 Min cabinet depth  
 NL: 标称长度 Nominal length



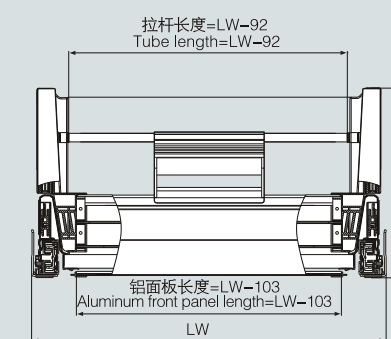
**柜体所需空间 Space required**

LW: 柜体净宽 Inside net width  
 Min: 最小尺寸

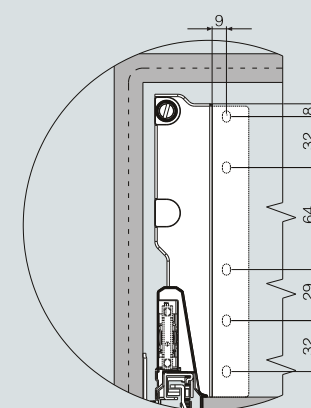


**铝面板拉手装配示意图 Aluminum front & Handle panel assembly**

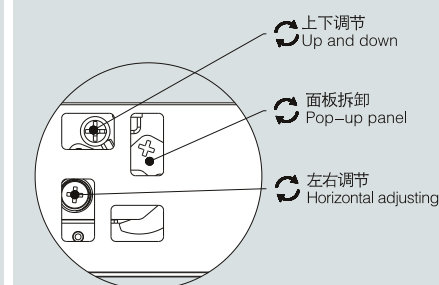
LW: 柜体净宽 Inside net width



**背板安装尺寸 Rear panel dimensions**

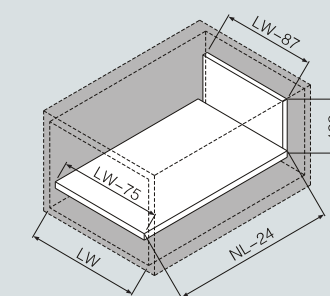


**调节机构 Adjustment mechanism**



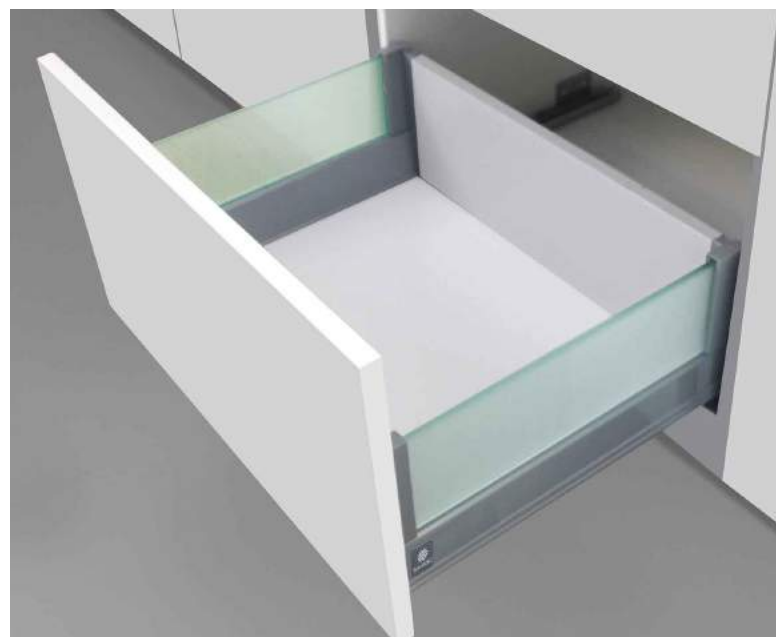
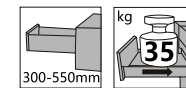
**抽屉木板尺寸 Drawer board dimensions**

LW: 柜体净宽 Inside net width  
 NL: 标称长度 Nominal length

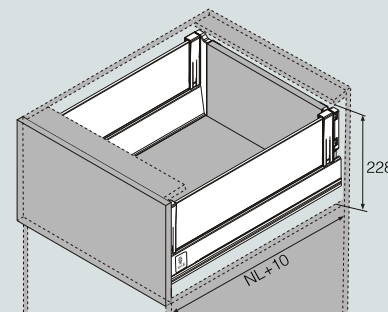


板厚 Board thickness: 16mm



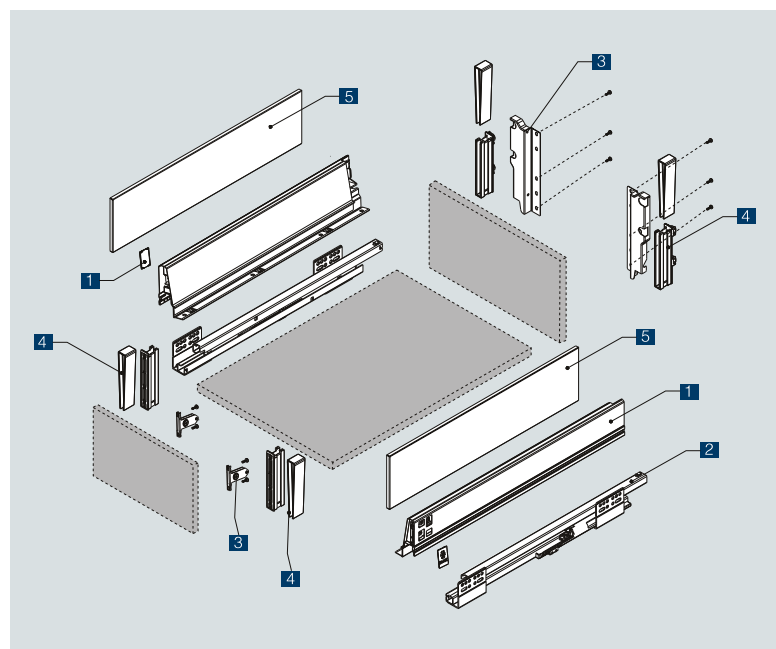


### 所需空间 Required space



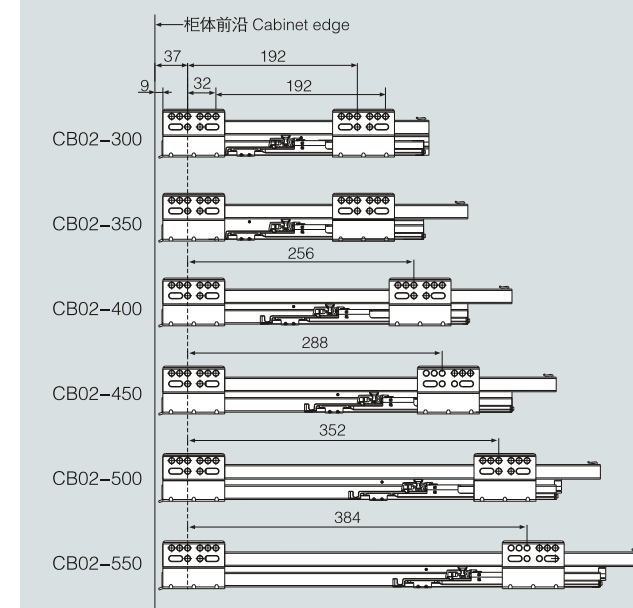
- 隐藏式全拉出缓冲抽屉
- 表面颜色: 灰色、白色及其它颜色
- 载重: 35kg
- 无需工具, 抽屉可快速安装和拆卸
- 静音系统, 滑轨运动顺畅
- 二维调节, 四个方向; 上下(可调±2mm)、左右(可调±1.5mm)方向
- 自闭功能, 平缓关闭, 抽屉关闭不受重量影响
- 长度: 300-550mm
- Soft close concealed full extension drawer
- Finish color: gray, white or various colors available
- Dynamic load capacity: 35kg
- Tool-free quick installation
- Quiet system can guarantee the slides run smoothly without noise
- 4-way adjustment: ±2mm up and down, ±1.5mm left and right
- Soft-closing function make the drawer close safely without effect of weight
- Length: 300-550mm

产品型号 Item No.	标称长度NL (mm) Nominal length	拉出长度 (mm) Travel length	最小柜深LT (mm) Min cabinet depth	包装 (套/箱) Packing (Set/Box)
CB199A-300W-CG/FG	300	284	310	4
CB199A-350W-CG/FG	350	334	360	4
CB199A-400W-CG/FG	400	384	410	4
CB199A-450W-CG/FG	450	434	460	4
CB199A-500W-CG/FG	500	484	510	4
CB199A-550W-CG/FG	550	534	560	4



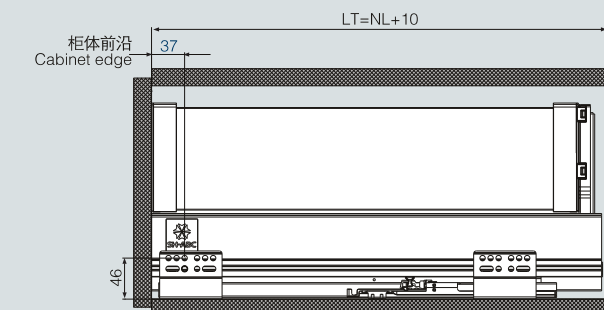
- CB02 侧板(左/右)+装饰盖 1付  
CB02 Side board (L/R)+Cover 1Pair
- CB02 滑轨(左/右) 1付  
CB02 Slides (L/R) 1Pair
- CB199A-W 配件包(左/右) 1付  
CB199A-W Fitting bag (L/R) 1Pair
- CB199-W-CG/FG 配件包(左/右) 1付  
CB199-W-CG/FG Extra Package (L/R) 1Pair
- CB 玻璃侧板 1付 (可选配CG透明玻璃或FG磨砂玻璃)  
CB Glass plate 1Pair (Optional transparent glass or frosted glass)

### 柜体滑轨安装孔尺寸 Hole pattern



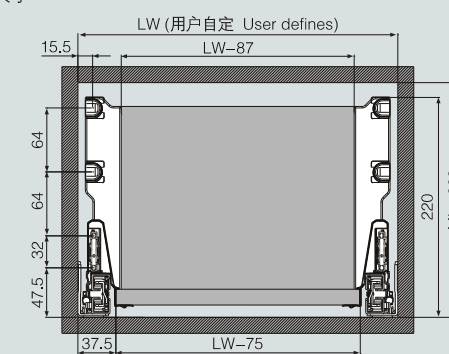
### 滑轨安装尺寸 Installation size

LT: 最小柜深 Min cabinet depth  
NL: 标称长度 Nominal length



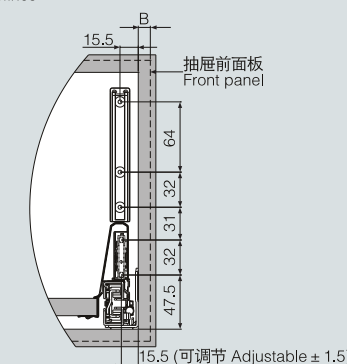
### 柜体所需空间 Space required

LW: 柜体净宽 Inside net width  
Min: 最小尺寸

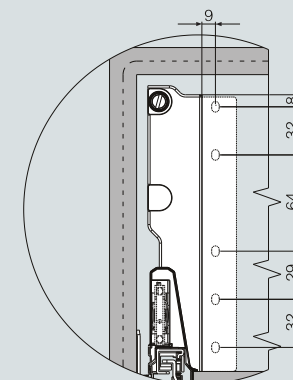


### 前面板安装尺寸 Front panel dimensions

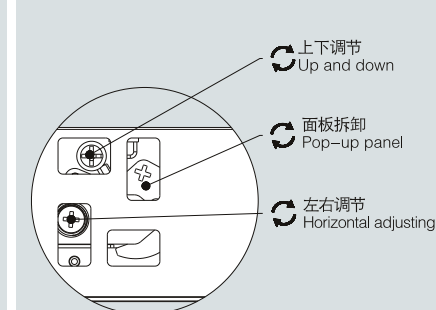
B: 用户自定义 User defines



### 背板安装尺寸 Rear panel dimensions

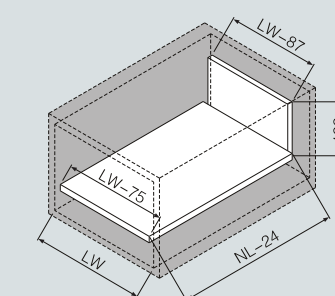


### 调节机构 Adjustment mechanism

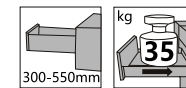


### 抽屉木板尺寸 Drawer board dimensions

LW: 柜体净宽 Inside net width  
NL: 标称长度 Nominal length



板厚 Board thickness: 16mm



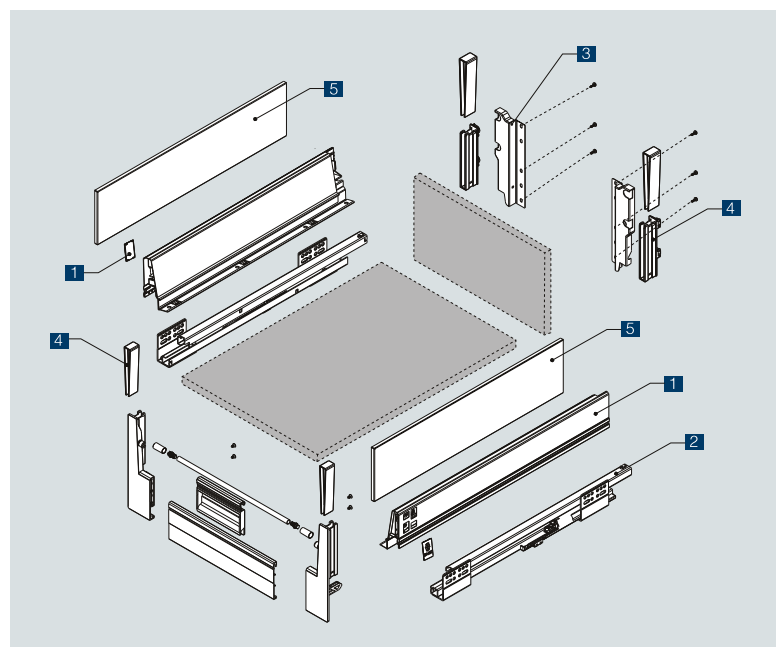
## CB199A-N-CG/FG-S1 骑马抽屉 Double Wall Drawer



- 隐藏式全拉出缓冲抽屉
- 表面颜色: 灰色、白色及其它颜色
- 载重: 35kg
- 无需工具, 抽屉可快速安装和拆卸
- 静音系统, 滑轨运动顺畅
- 二维调节, 四个方向; 上下(可调±2mm)、左右(可调±1.5mm)方向
- 自闭功能, 平缓关闭, 抽屉关闭不受重量影响
- 长度: 300-550mm

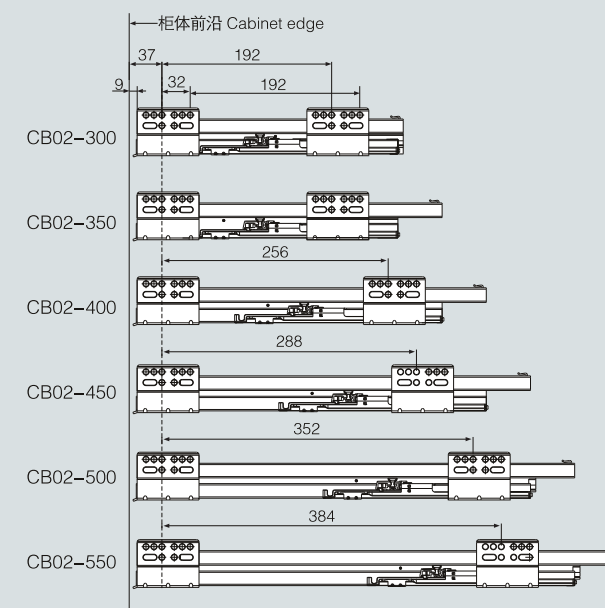
- Soft close concealed full extension drawer
- Finish color: gray, white or various colors available
- Dynamic load capacity: 35kg
- Tool-free quick installation
- Quiet system can guarantee the slides run smoothly without noise
- 4-way adjustment: ±2mm up and down, ±1.5mm left and right
- Soft-closing function make the drawer close safely without effect of weight
- Length: 300-550mm

产品型号 Item No.	标称长度NL (mm) Nominal length	拉出长度 (mm) Travel length	最小柜深LT (mm) Min cabinet depth	包装 (套/箱) Packing (Set/Box)
CB199A-300N-CG/FG	300	284	310	4
CB199A-350N-CG/FG	350	334	360	4
CB199A-400N-CG/FG	400	384	410	4
CB199A-450N-CG/FG	450	434	460	4
CB199A-500N-CG/FG	500	484	510	4
CB199A-550N-CG/FG	550	534	560	4



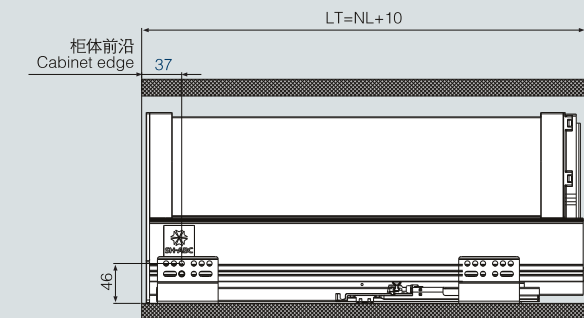
- CB02 侧板(左/右)+装饰盖 1付  
CB02 Side board (L/R)+Cover 1Pair
- CB02 滑轨(左/右) 1付  
CB02 Slides (L/R) 1Pair
- CB199A-N 配件包(左/右) 1付  
CB199A-N Fitting bag (L/R) 1Pair
- CB199-N-CG/FG 圆杆铝面板连接组件 1套  
CB199-N-CG/FG Round tube aluminum front panel connectors 1Set
- 可选 Optional  
CB199-N-CG/FG 方杆铝面板连接组件 1套  
CB199-N-CG/FG Square tube aluminum front panel connectors 1Set
- CB 玻璃侧板 1付 (可选CG透明玻璃或FG磨砂玻璃)  
CB Glass plate 1Pair (Optional transparent glass or frosted glass)

## 柜体滑轨安装孔尺寸 Hole pattern



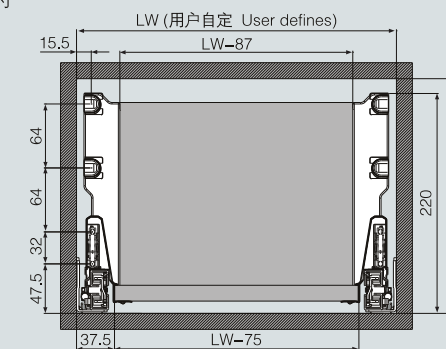
## 滑轨安装尺寸 Installation size

LT: 最小柜深 Min cabinet depth  
NL: 标称长度 Nominal length



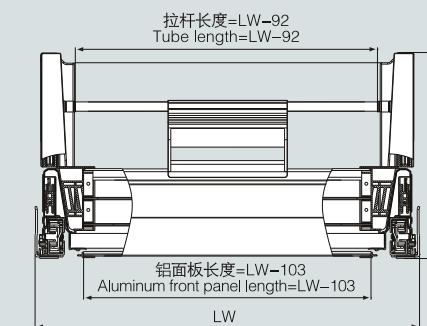
## 柜体所需空间 Space required

LW: 柜体净宽 Inside net width  
Min: 最小尺寸

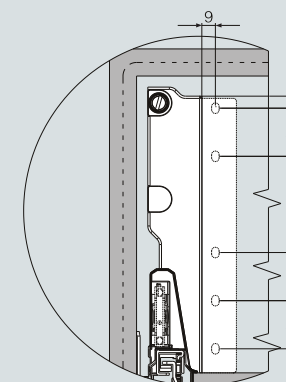


## 铝面板拉手装配示意图 Aluminum front & Handle panel assembly

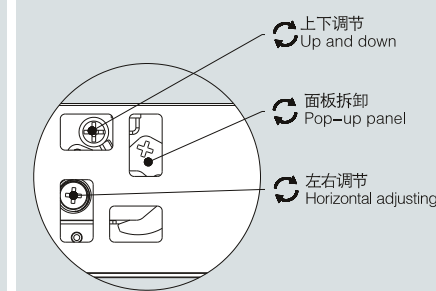
LW: 柜体净宽 Inside net width



## 背板安装尺寸 Rear panel dimensions

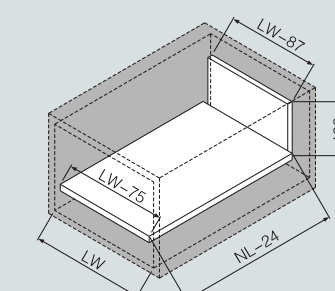


## 调节机构 Adjustment mechanism



## 抽屉木板尺寸 Drawer board dimensions

LW: 柜体净宽 Inside net width  
NL: 标称长度 Nominal length



板厚 Board thickness: 16mm